

WAREFORCE®

WAREFORCE® 44

Project _____

Item _____

Quantity _____

CSI Section 11400

Approval _____

Date _____

WAREFORCE® 44

Models

WAREFORCE 44



Standard Features

- 25" standard clearance accommodates larger wares, such as sheet pans, mixing bowls, etc.
- Exclusive EnergyGuard™ controls
- Fully automatic, including auto-fill
- Electromechanical controls
- Adjust-A-Peak™ adjustable conveyor speed allows machine to extend wash time and rinse contact for heavy soil conditions
- Strikeplate Table Limit Switch
- Self-draining stainless steel wash pump
- Front dress panel
- Stainless steel strainer pans and scrap bucket
- Splash shields
- Externally operated drain lever
- Adjustable bullet feet
- Stainless steel frame and legs
- Exhaust vent fan control
- 18kW wash tank heater

Mandatory Specs

Specify Voltage _____

Specify Sanitizing Method:

- High Temperature
- Chemical Sanitizing

Specify Direction of Operation:

- Left to Right
- Right to Left

Options

- Booster Heater
 - 40° F (22.2° C) Rise - 17kW
 - 70° F (38.9° C) Rise - 30kW
- 23" (584 mm) Unhooded Side Loader
- 23" (584 mm) Hooded Side Loader
- 30" (762 mm) Unhooded Side Loader
- 30" (762 mm) Hooded Side Loader
- Flanged Feet
- Blower Dryer
- Vent Cowl Collars (set of 2)

Accessories

- 36-Compartment Rack
 - 4-1/8" tall (105 mm)
 - 5 - 5/8" tall (143 mm)
 - 7" tall (178 mm)
- Combination Rack
- Peg Rack
- Sheet Pan Rack
- Drain Quench System
- Scaltrol
- Water Hammer Arrestor
- Pressure Regulator

Specifications

High-temperature model uses 0.68 gallons (2.57 liters) per rack. Chemical-sanitizing model uses 0.78 gallons (2.95 liters) per rack

High-temperature model cleans 225 racks per hour. Chemical-sanitizing model cleans 209 racks per hour

8" (203 mm) splash shields on both wash and rinse ends

Standard 25" (635 mm) chamber height clearance accommodates larger wares

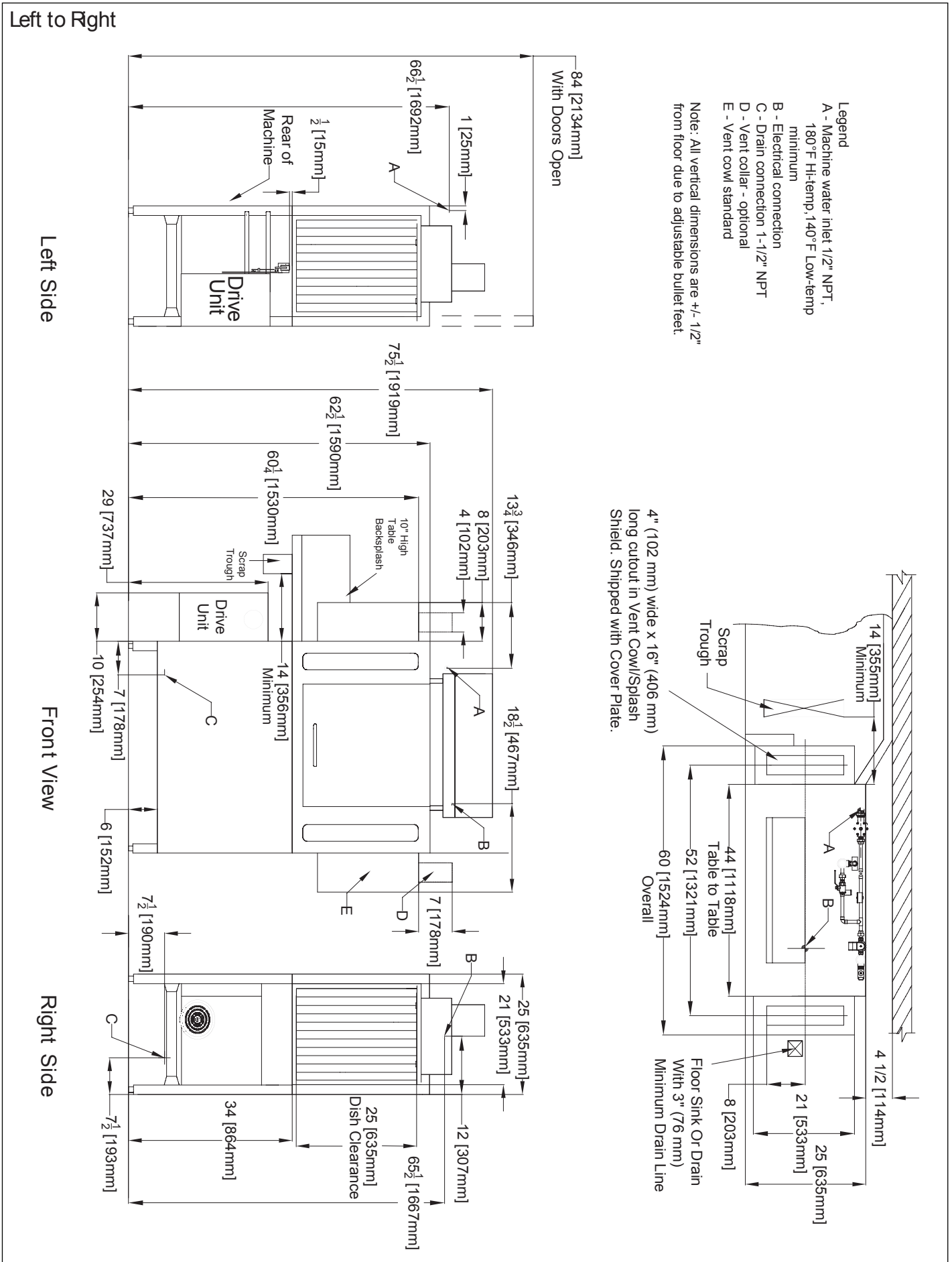
18" (457 mm) wash section with an 18" (457 mm) separation between wash and rinse

Durable stainless steel construction

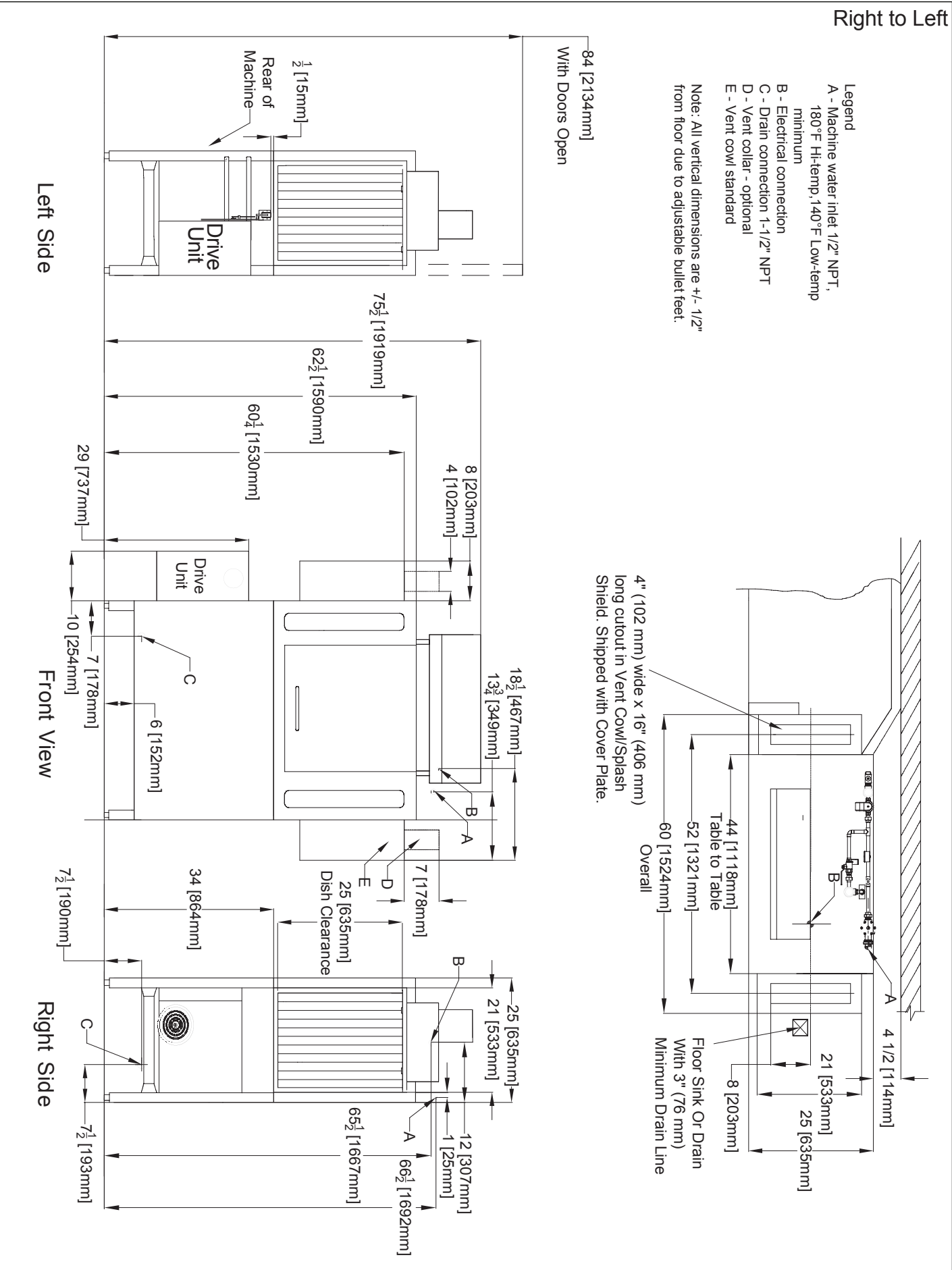


WAREFORCE® 44

Left to Right



Right to Left



WAREFORCE®

WAREFORCE® 44

Recommended Table Fabrication

Note: Tub Will Accept a Table Flange Up to 24 7/8" (632 mm)

3/4" (19 mm) Table Turndown Flange 3/4" Max

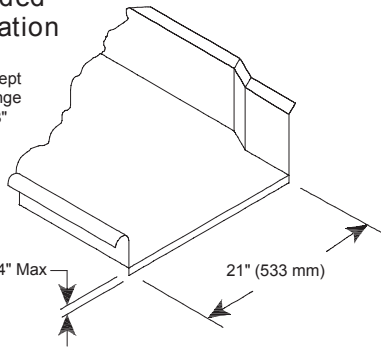
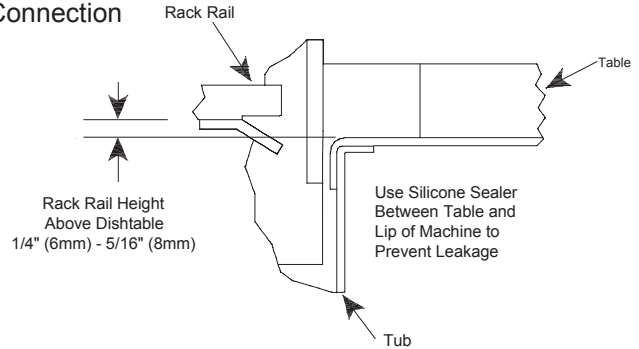


Table Connection



MODEL NO.	MACHINE DIMENSIONS					DRAIN HEIGHT	SHIPPING INFORMATION					
	HEIGHT	HEIGHT WITH DOOR OPEN	LENGTH BETWEEN DISHTABLES	DEPTH	WEIGHT		CLASS	CUBE	HEIGHT	WIDTH	DEPTH	
WAREFORCE 44	75-1/2" (1919 mm)	84" (2134 mm)	44" (1118 mm)	25" (635 mm)	7-1/2" (191 mm)	651 lbs (296 kg)	200	144.26 cu. ft.	82" (2083 mm)	76" (1931 mm)	40" (1016 mm)	

DIMENSION REQUIREMENTS

Wall Clearance (minimum)	4-1/2" (114 mm)
Standard Table Height	34" (864 mm)
Inside Clearance	25" (635 mm)

OPERATING CAPACITY

	High-Temperature	Chemical Sanitizing
Racks per Hour	225	209

OPERATING TEMPERATURES

	High-Temperature	Chemical Sanitizing
Wash (minimum)	160° F (71° C)	140° F (60° C)
Rinse (minimum)	180° F (82° C)	140° F (60° C)

ELECTRICAL REQUIREMENTS

Approximate Total Load AMPS	
208V/60HZ/3PH	56.7
208V/60HZ/1PH	96.8
230V/60HZ/3PH	51.9
230V/60HZ/1PH	88.6
460V/60HZ/3PH	26.0

BOOSTER HEATER OPTIONS

	40° F (22.2° C) Minimum Rise		70° F (38.9° C) Minimum Rise	
	kW	AMPS	kW	AMPS
208V/60HZ/3PH	17.2	47.8	30	83.4
230V/60HZ/3PH	18	45.2	30	75.4
460V/60HZ/3PH	18	22.6	30	37.7

WATER REQUIREMENTS

Inlet Temperature (minimum)	
With 40° F (22.2° C) Rise Booster Heater	140° F (60° C)
With 70° F (38.9° C) Rise Booster Heater	110° F (43° C)
Gallons per Hour - High-Temperature	153 gal (579 L)
Gallons per Hour - Chemical Sanitizing	163 gal (617 L)
Gallons per Rack - High-Temperature	.68 gal (2.6 L)
Gallons per Rack - Chemical Sanitizing	.78 gal (3.0 L)
Waterline Size IPS (minimum)	1/2"
Drainline Size IPS (minimum)	1-1/2"
Flow Pressure (PSI)	15
Flow Rate (minimum) - High -Temperature	2.6 GPM (9.8 LPM)
Flow Rate (minimum) - Chemical Sanitizing	2.7 GPM (10.2 LPM)
Wash Tank Capacity	21 gal (79.5 L)

WASH PUMP

Wash Pump Motor	2 hp
Wash Pump Capacity	270 GPM (1022 LPM)

CONVEYOR

Conveyor Motor	1/4 hp
Conveyor Speed (feet per minute highest speed)	
High-Temperature	6.2 FPM (1.9 MPM)
Chemical Sanitizing	5.75 FPM (1.75 MPM)

VENTING REQUIREMENTS

	Input End	Output End	Total CFM
	200 CFM	400 CFM	600 CFM

HOW TO SPECIFY: WAREFORCE 44

WAREFORCE®

Shipping Address: 6209 North U.S. Highway 25E, Gray, KY 40734

Mailing Address: P.O. Box 1060, Barbourville, KY 40906

Telephone: 888-800-5672 • Fax: 606-523-1799

Email: info@jacksonwws.com

07610-003-60-72 [03/30/17]

We reserve the right to change specifications in this bulletin without incurring any obligation for equipment previously or subsequently sold.