

Project _____
Item _____
Quantity _____
CSI Section 11400
Approval _____
Date _____

Models

WAREFORCE HT-180



Standard Features

- Sani-Sure™ feature ensures proper rinse water temperature
- Multi-cycle timer (Extra Heavy, Heavy, Medium, Normal)
- Specially designed stainless steel nozzles provide superior cleaning action
- 17-1/4" (438 mm) door opening accepts 18" (457 mm) trays
- Interchangeable wash/rinse arms screw out for simple cleanup
- Auto-fill/auto-start
- Door switch
- Delime/manual wash switch
- Vent fan control
- Low watt density electric wash tank heater
- Hi-limit thermostat and low water protection
- Top mounted controls for ease of operation
- Adjustable bullet feet
- Uses standard 20" X 20" (508 mm X 508 mm) racks
- Front dress panel
- Detergent/rinse additive signal connection fuse box
- Self-draining stainless steel pump
- Built-in 70° F (38.9° C) rise booster heater
- Large scrap basket

Mandatory Specs

Specify voltage _____

Options

- 480V Electrical
- Single Phase
- Drain Quench System
- Scaltril
- Water Hammer Arrestor
- Pressure Regulator
- Flanged Feet
- False Panel
- Door Interlock

Accessories

- 36-Compartment Rack
 - 4-1/8" tall (105 mm)
 - 5-5/8" tall (143 mm)
 - 7" tall (178 mm)
- Combination Rack
- Peg Rack

Specifications

Uses 0.89 gallons (3 liters) of water per rack

Total automatic (normal) cycle - 57 seconds

58 racks per hour (normal) cycle

1 HP Wash Pump Motor

Single point connections for all utilities

Field convertible from straight through to corner and vice versa

Field convertible from 3-phase to single-phase and vice versa

Durable stainless steel construction



Intertek

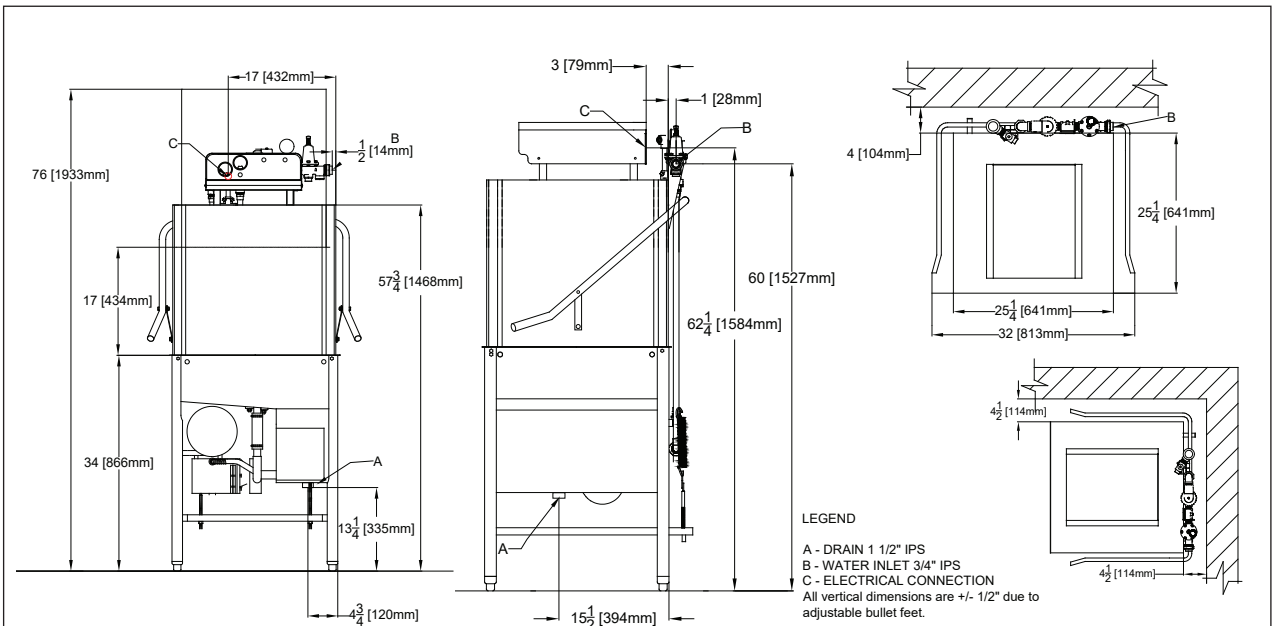


Intertek



WAREFORCE®

WAREFORCE® HT-180



MODEL NO.	MACHINE DIMENSIONS				DRAIN HEIGHT	SHIPPING INFORMATION				
	HEIGHT	WIDTH	DEPTH	WEIGHT		CLASS	CUBE	HEIGHT	WIDTH	DEPTH
WAREFORCE HT-180	64-3/8" (1635 mm)	25-1/4" (641 mm)	25-1/4" (641 mm)	13-1/4" (335 mm)	263 lbs (120 kg)	200	58.15 cu. ft.	72.5" (1842 mm)	33" (839 mm)	42" (1067 mm)

DIMENSION REQUIREMENTS	
Wall Clearance (minimum)	4" (102 mm)
Standard Table Height	34" (864 mm)
Inside Clearance	17-1/4" (438 mm)
Machine Height with Door Open	76" (1933 mm)

WATER REQUIREMENTS	
Inlet Temperature	70°F (38.9°C) Rise
Gallons per Hour	110°F (43°C)
Gallons per Rack	52 gal (197 L)
Waterline Size IPS (minimum)	.89 gal (3 L)
Drainline Size IPS (minimum)	1/2"
Flow Pressure (PSI)	1- 1/2"
Wash Tank Capacity	10
Booster Tank Capacity	8 gal (30 L)
	3 gal (11 L)

OPERATING CAPACITY				
Racks per Hour	Normal 58	Medium 30	Heavy 20	Extra Heavy 12
OPERATING CYCLE (seconds)	Wash	Rinse	Dwell	Total Cycle
Normal	40	13	4	57
Medium	100	13	4	117
Heavy	160	13	4	177
Extra Heavy	280	13	4	297

OPERATING TEMPERATURES	
Wash (minimum)	150° F (66° C)
Rinse (minimum)	180° F (82° C)

WASH PUMP MOTOR		
Wash Pump Motor Horsepower		1 HP
	Volts	KW
Electric Wash Tank Heater	208V	4.1
	230V	5.0
	460V	5.0
Electric Rinse Tank Heater - 70°F (38.9°C) Rise	208V	10.5
	230V	12.9
	460V	12.9

APPROXIMATE LOAD AMPS	
Power Supply	AMPS
208V/60HZ/1PH	75.8
208V/60HZ/3PH	46.3
230V/60HZ/1PH	83.6
230V/60HZ/3PH	50.7
460V/60HZ/3PH	24.1

HOW TO SPECIFY: WAREFORCE HT-180

WAREFORCE®

Shipping Address: 6209 North U.S. Highway 25E, Gray, KY 40734
 Mailing Address: P.O. Box 1060, Barbourville, KY 40906
 Telephone: 888-800-5672 • Fax: 606-523-1799
 Email: info@jacksonwws.com
 07610-003-68-68 [10/03/17]

We reserve the right to change specifications in this bulletin without incurring any obligation for equipment previously or subsequently sold.