

WAREFORCE®

WAREFORCE® I-X

Project _____
Item _____
Quantity _____
CSI Section 11400
Approval _____
Date _____

WAREFORCE® I-X

Models

WAREFORCE I-X



Standard Features

- Electromechanical timer
- Built-in waste accumulator
- Delimer switch for easy removal of hard water deposits
- Removable scrap screen
- Air gap instead of vacuum breaker
- Door switch
- Convenient top mounted controls
- Auto start
- Interchangeable upper and lower stainless steel wash / rinse arms
- Wash / rinse thermometer
- Low chemical indicator lights
- External sump design
- Stainless steel adjustable bullet feet

Mandatory Specs

Specify voltage _____

Options

- Water Hammer Arrestor
- Scaltrol
- False Panel
- Flanged Feet
- Audible Low Product Alarm

Accessories

- 36-Compartment Rack
 - 4-1/8" tall (105 mm)
 - 5-5/8" tall (143 mm)
 - 7" tall (178 mm)
- Combination Rack
- Peg Rack

Specifications

Uses 1.5 gallons (6 liters) water per rack

37 racks per hour

Single point electrical connection

Self-draining stainless steel pump eliminates soil/detergent carryover between wash and rinse cycles

Fill and dump design disposes of dirty water, replacing it with a fresh water rinse every cycle

Field convertible from straight to corner and corner to straight for flexible installations and applications

Left or right configurable drain connections allow for versatile installations

17-1/4" (438 mm) door opening

Built-in chemical pumps and priming switches

Large removable scrap screen

Durable stainless steel construction



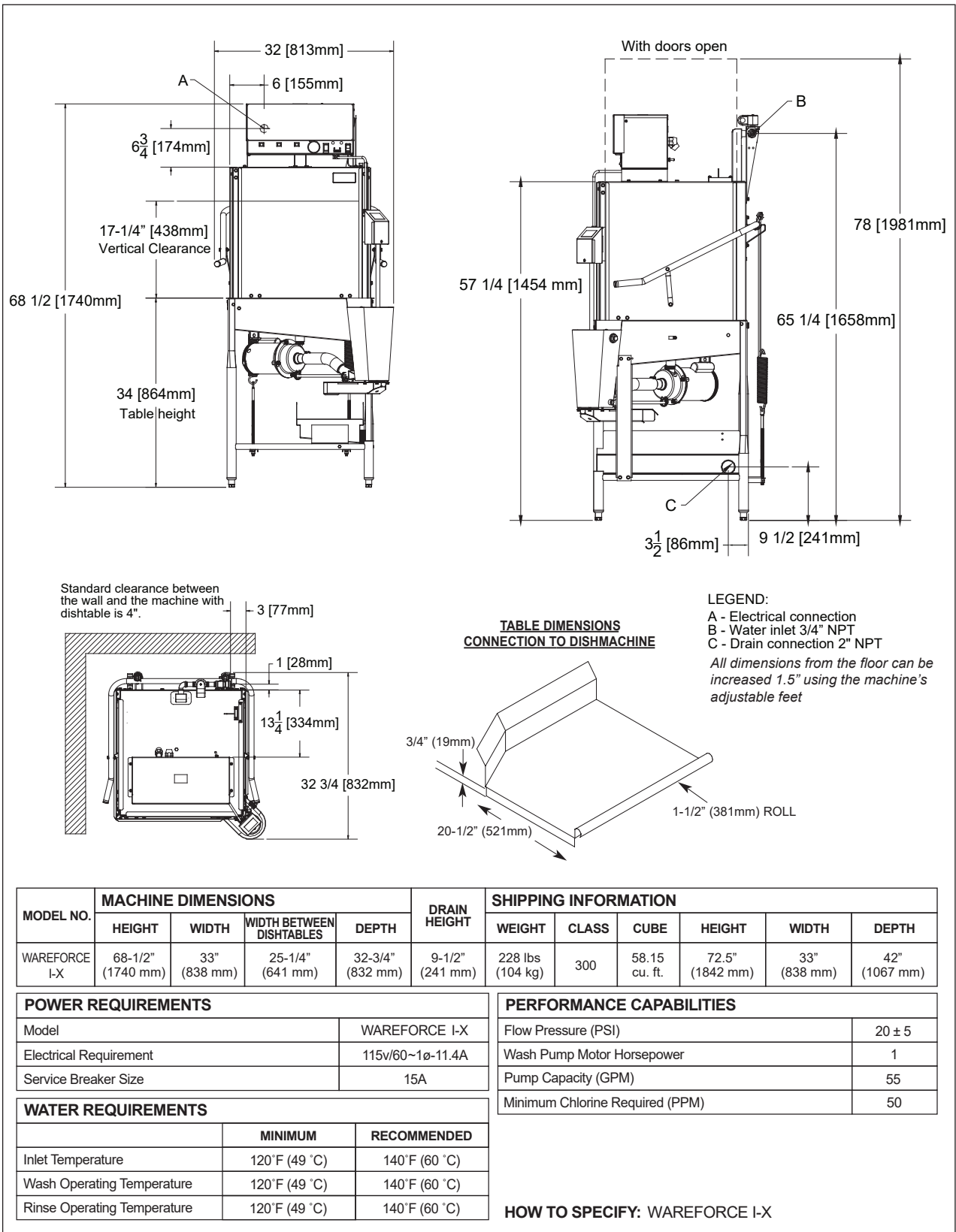
Intertek



Intertek

WAREFORCE®

WAREFORCE® I-X



WAREFORCE®

Shipping Address: 6209 North U.S. Highway 25E, Gray, KY 40734
 Mailing Address: P.O. Box 1060, Barbourville, KY 40906
 Telephone: 888-800-5672 • Fax: 606-523-1799
 Email: info@jacksonwws.com
 07610-004-24-86 [01/16/18]

We reserve the right to change specifications in this bulletin without incurring any obligation for equipment previously or subsequently sold.